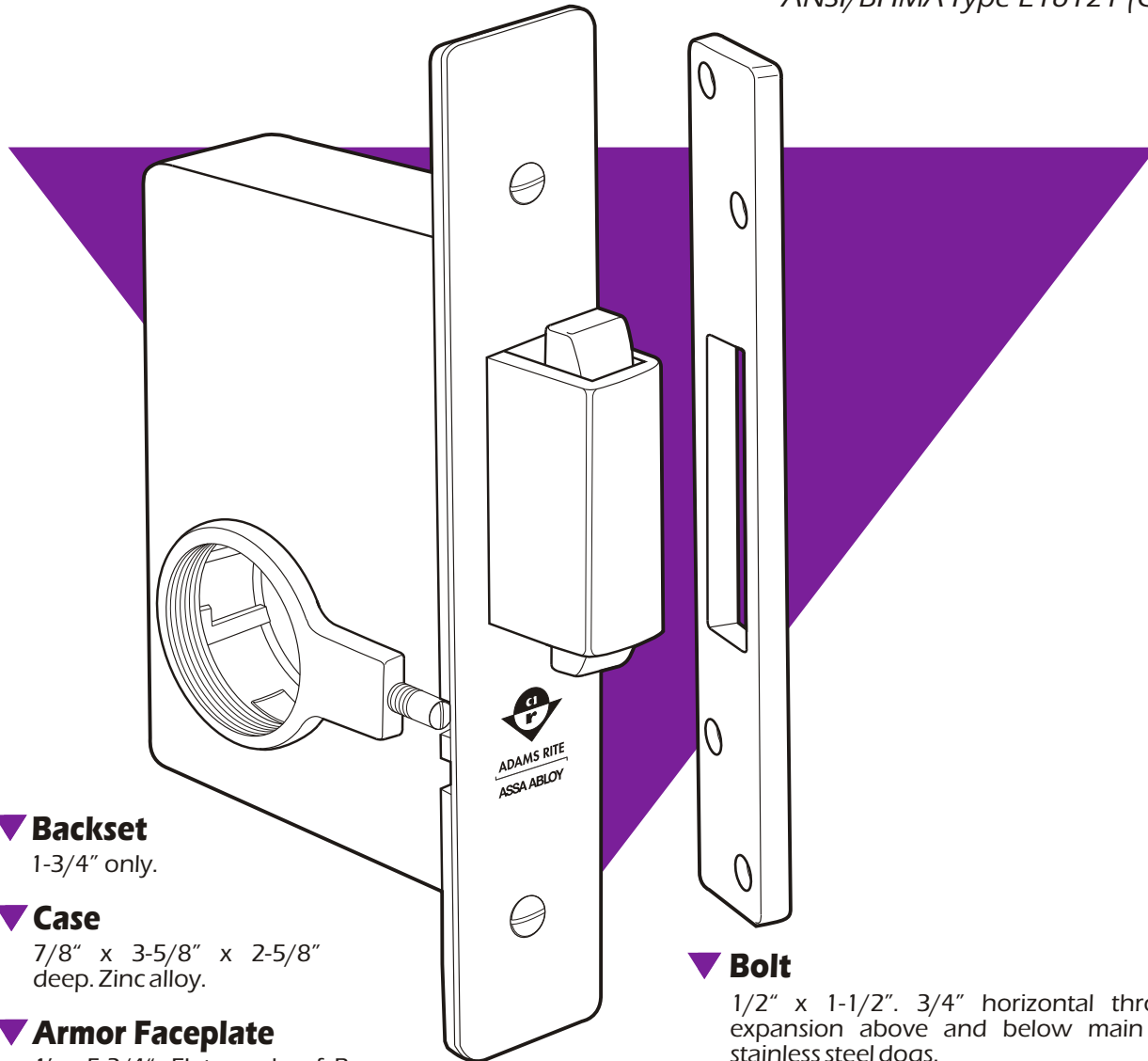


## Heavy Duty Deadbolt

### 2331

ANSI/BHMA Type E16121 (Grade 1)



#### ▼ Backset

1-3/4" only.

#### ▼ Case

7/8" x 3-5/8" x 2-5/8" deep. Zinc alloy.

#### ▼ Armor Faceplate

1" x 5-3/4". Flat, made of Brass. Available in different trim finishes.

#### ▼ Function

A heavy-duty deadbolt for heavy-duty metal or wood sliding doors, the 2331 throws a massive brass bolt into its strike, then expands two stainless steel dogs to secure the door. A single turn of key expands or retracts the bolt. Operates with standard mortise cylinder (standard cam) or with standard mortise cylinder thumbturn. There is no latch action.

#### ▼ Bolt

1/2" x 1-1/2". 3/4" horizontal throw, with 11/32" expansion above and below main bolt. Brass with stainless steel dogs.

#### ▼ Strike

1/8" x 1" x 4-11/16" with 5/8" x 1-5/8" opening. Brass, with four-screw mounting. Trim finish same as faceplate.

#### ▼ Operation

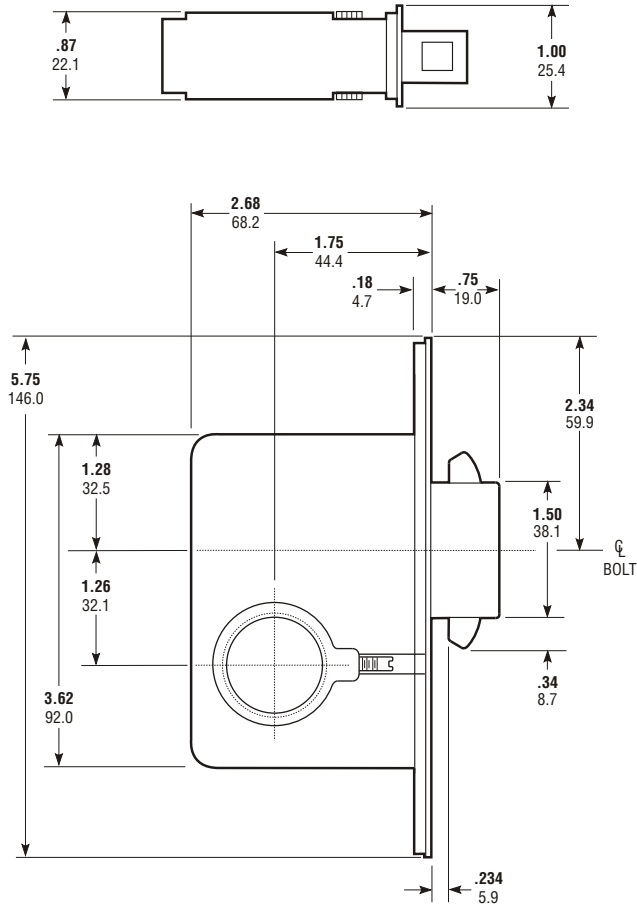
360° turn of key or thumbturn extends and expands or retracts and withdraws the bolt. Key cannot be removed unless bolt is positively locked or totally retracted. **Requires special cam (see details on back).**



# 2331 Heavy-Duty Deadbolt

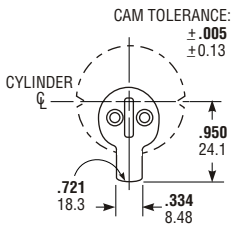
## DIMENSIONS

**INCHES**  
**MILLIMETERS**  
Nominal, subject to tolerance extremes.

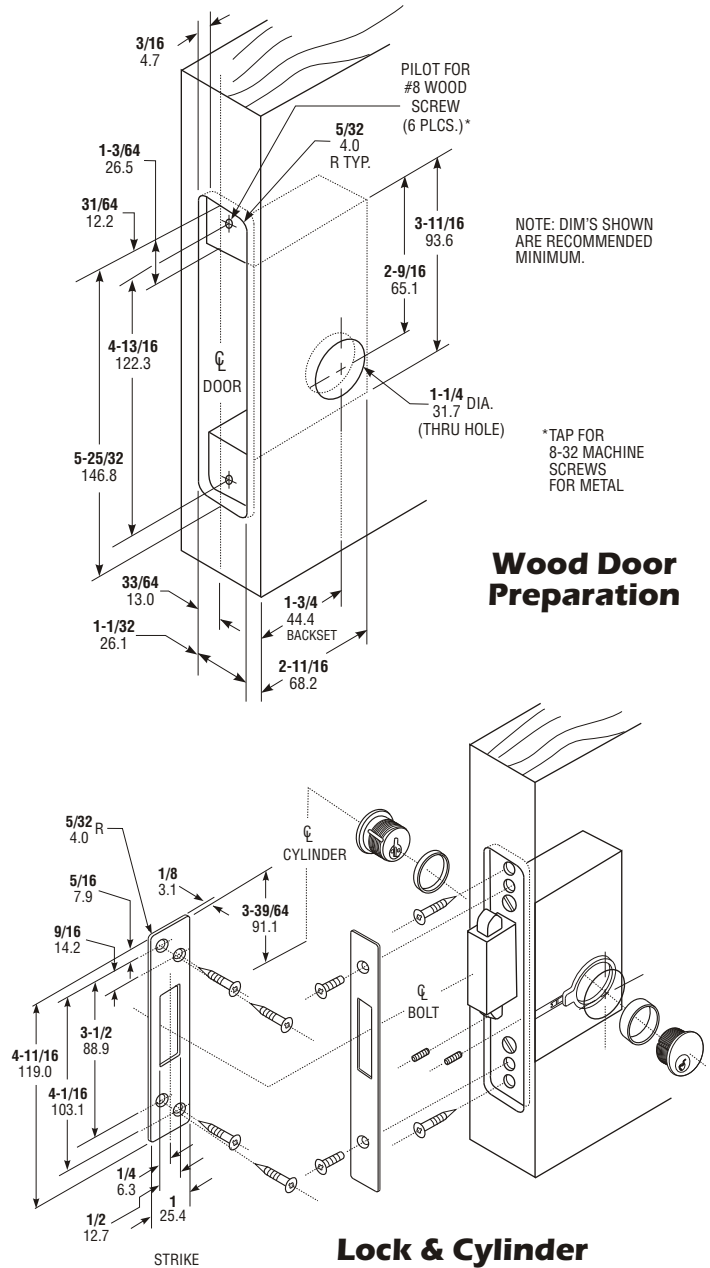


### Special Cylinder Cam

2331 Deadbolts are operable by any standard 1-5/32" diameter mortise cylinder with standard cam dimensions as shown. Cylinders with such cams can be readily obtained from most cylinder manufacturers.



## INSTALLATION



NOTE: DIM'S SHOWN ARE RECOMMENDED MINIMUM.

\*TAP FOR 8-32 MACHINE SCREWS FOR METAL

## HOW TO ORDER

Specify quantity and the following information.  
 Order related hardware separately.

### Finish

- 605 Bright Brass
- 625 Bright Chrome
- 626 Satin Chrome

# 2331 - 625

## OPTIONS

Specify trim finish: US3 Polished Brass (605), US26 Bright Chrome (625) or US26D Satin Chrome (626).

## STANDARD PACKAGE

Individually boxed with strike and wood screws for mounting lock and strike. Shipping weight: 2 lbs.